

## Atuador magnético 30079

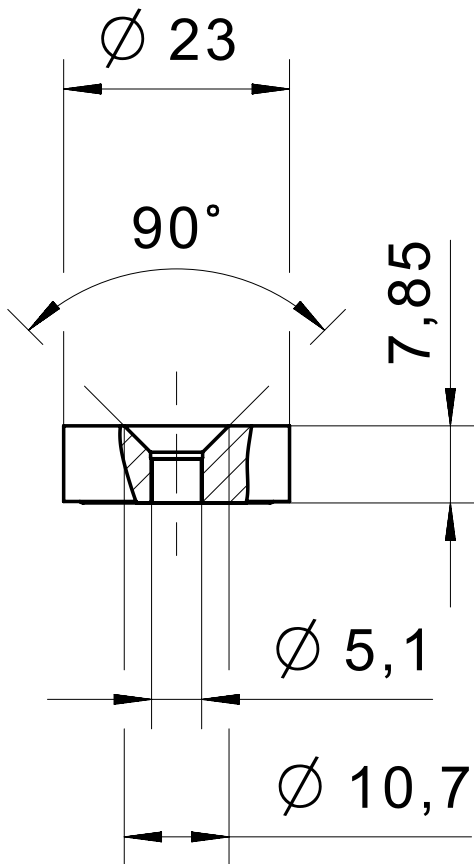
### Especificação Técnica

- Design compacto
- Materiais: aço inox ou plástico
- Design higiênico

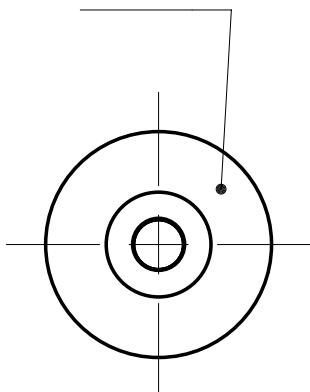
Desenho técnico

IMAGE 1/1

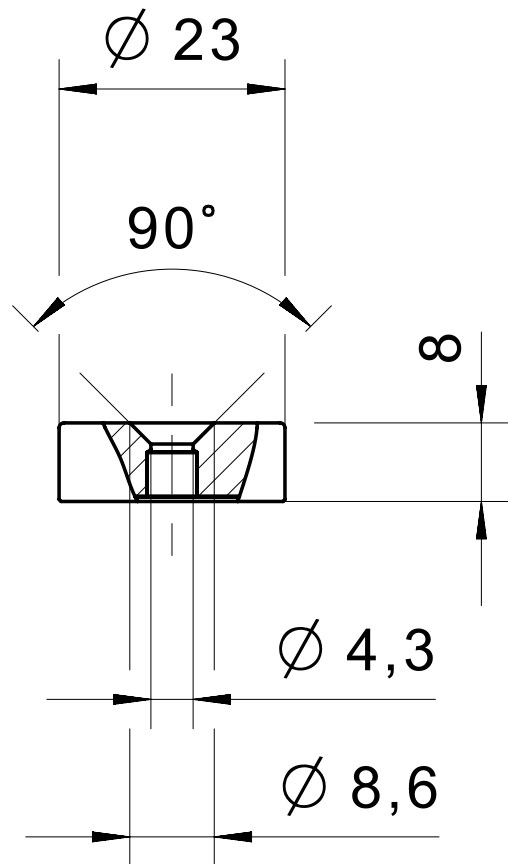
300790  
300795



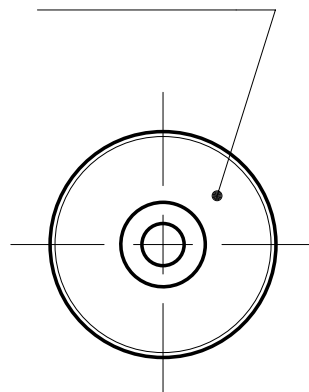
Pa6



300790V  
300795V



1.4404



**Product options**

IMAGE 1/1

**ORDERING KEY**

300				Actuators
	7			
		90		Magnetic field north
		90	V	Magnetic field north – stainless steel housing
		95		Magnetic field south
		95	V	Magnetic field south – stainless steel housing

### Características do artigo

Attribute	300790	300790V	300795	300795V
Coding acc. to EN ISO 14119	Low			
Suitable for sensor type(s)	120..1 / 122			
Dimensions	Ø 23 / H=8			
Housing material	PA 6	1.4404	PA 6	1.4404
Housing colour	rot	silber	grün	silber
Mounting type	Screw			