



Chave de segurança com travamento ZM

A chave de segurança com travamento elobau modelo ZM é ideal para montagem em áreas com espaço restrito devido à seu design compacto.

Especificação Técnica

- 7 direções de acionamento
- Fácil montagem - 3 opções de entrada de cabos
- Diversas opções de travas mecânicas modelo ZB

Modelos de travas compatíveis:

ZBG5M
ZBG5G
ZBA5G
ZBG5GE
ZBA5GE ZBU5M
ZBL5M
ZBU5ME
ZBL5ME

Desenho técnico

IMAGE 1/3

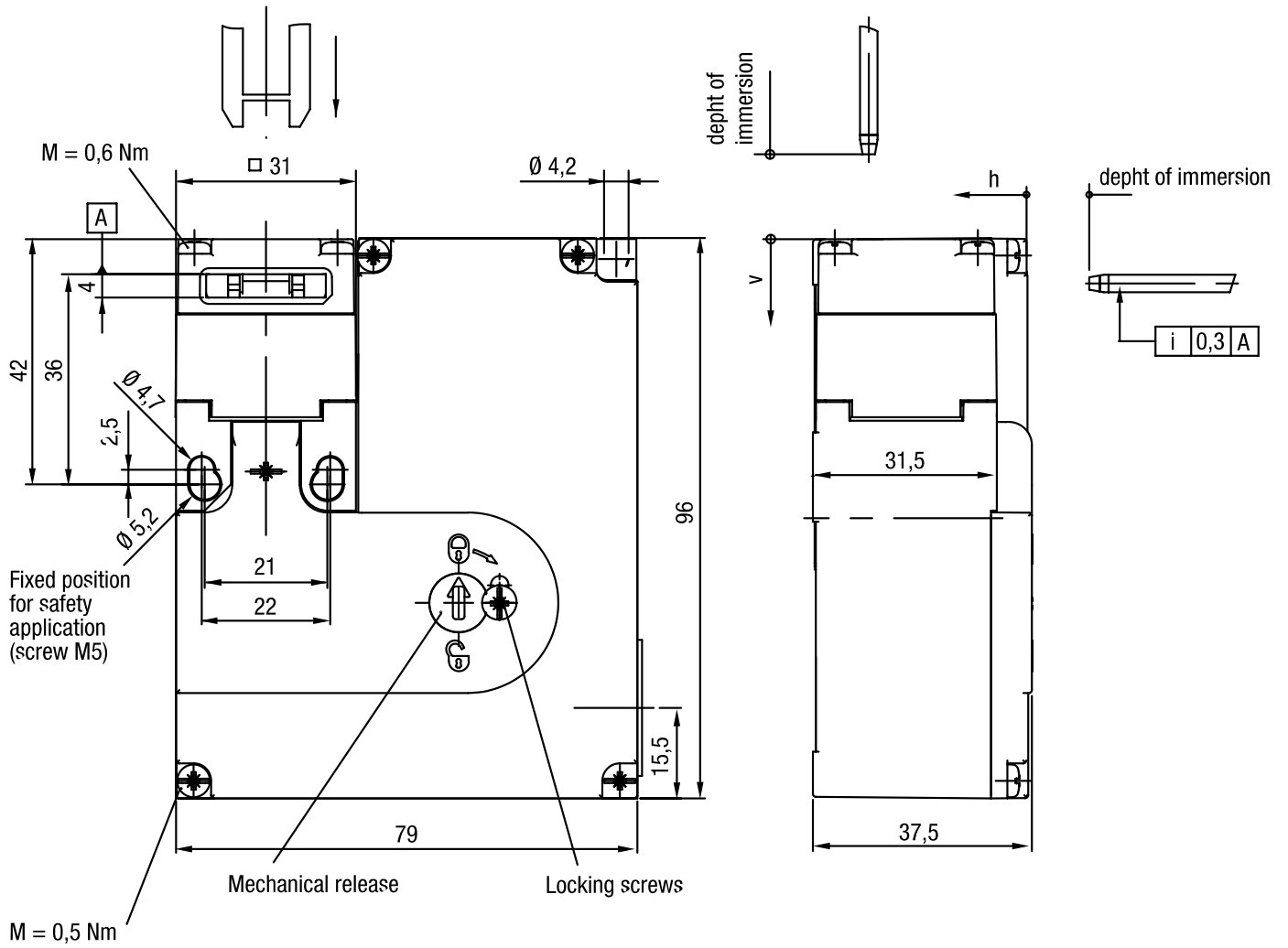


IMAGE 2/3

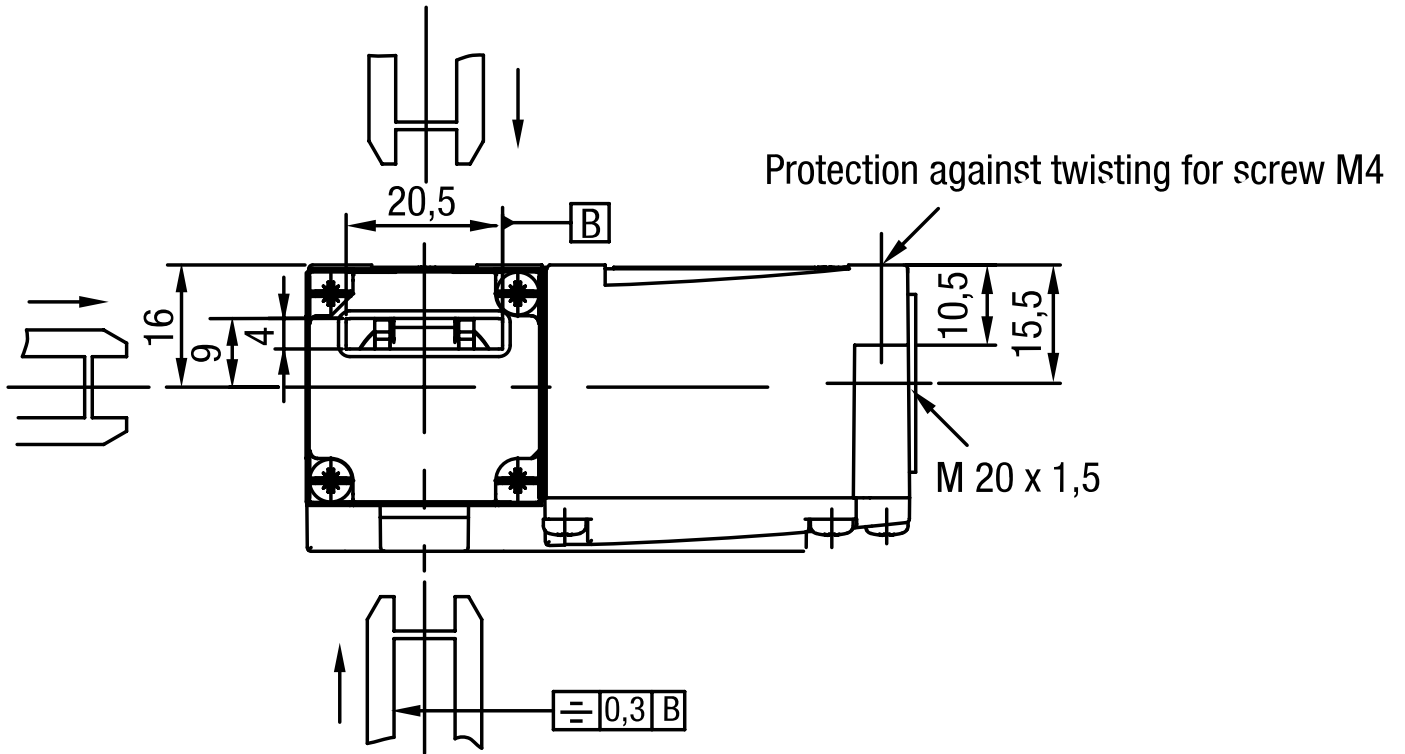
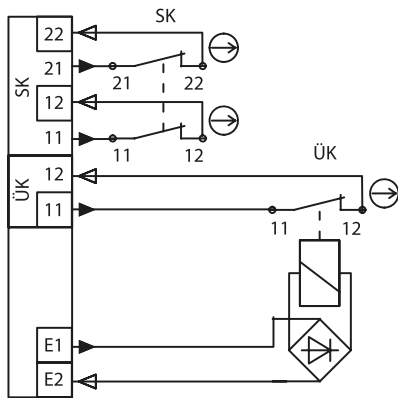


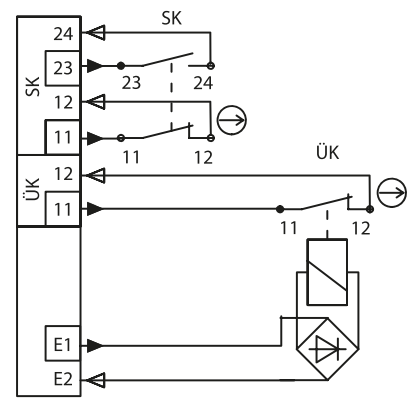
IMAGE 3/3

Contact form

ZMR 1030 V
ZMA 1030 V



ZMR 1120 V
ZMA 1120 V



Product options

IMAGE 1/1

ORDERING KEY

| ZM | | | | Safety interlock |
|----|---|------|---|--|
| | R | | | Spring force locked / closed-circuit principle |
| | A | | | Magnetically locked / open-circuit principle |
| | | 1030 | | 24 V AC/DC operating voltage for magnet / 3 force-guided N.C. |
| | | 1120 | | 24 V AC/DC operating voltage for magnet / 1 N.O. / 2 force-guided N.C. |
| | | | V | Approach direction front |

Características do artigo

| Attribute | ZMA1030V | ZMA1120V | ZMR1030V | ZMR1120V |
|--|------------------------------|----------|----------|----------|
| Min. switching voltage | 24 V DC | | | |
| Min. switching voltage | 24 V AC | | | |
| Min. switching current | 1 A | | | |
| Conv. thermal continuous current Ith | 4 A | | | |
| Utilization category | AC-15 4A 230V / DC-13 4A 24V | | | |
| Rated insulation voltage (Ui) | 250 V | | | |
| Rated impulse withstand voltage (Uimp) | 2500 V | | | |
| Magnet operating voltage +10%/-15% | 24 V AC/DC | | | |
| Power consumption | 6 W | | | |
| Power-on time ED | 100 % | | | |
| Open-circuit principle | yes | | - | |
| Closed-circuit principle | - | | yes | |
| Switching principle | Slow-action switch | | | |
| Short-circuit protection in accordance with IEC 60269-1 (fuse) | 4 A gG | | | |
| Conditional short circuit current | 100 A | | | |
| Pollution degree | 3 | | | |
| B10d acc. to EN ISO 13849-1 | 2000000 | | | |
| Type acc. to EN ISO 14119 | 2 | | | |
| Mission time in years | 20 a | | | |
| Service life, mechanical (Cycles) | 1 x 10 ⁶ | | | |
| Dimensions | 37,5 x 79 x 96 mm (H/B/T) | | | |
| Emergency release present | no | | | |
| Auxiliary unlocking device present | yes | | | |
| Emergency unblocking present | no | | | |
| Locking force Fmax | 2000 N | | | |
| Locking force FzH | 1500 N | | | |
| Immersion depth | 24.5 mm | | | |
| Overrun max. | 5 mm | | | |

| Attribute | ZMA1030V | ZMA1120V | ZMR1030V | ZMR1120V |
|--|---|----------|----------|----------|
| Number of N.C. door position | 0 | | | |
| Number of N.O. door position | 0 | 1 | 0 | 1 |
| Number of interlocks guard locking | 1 | | | |
| Number of N.O. guard locking | 0 | | | |
| Number of interlocks door position | 2 | 1 | 2 | 1 |
| Operating speed max. | 20 m/min | | | |
| Actuation frequency | 1200 1/h | | | |
| Actuation force/attraction force/retention force | 35 / 30 / 20 N | | | |
| Housing material | Glasfaserverstaerkter Thermoplast | | | |
| Housing colour | Gehaeuse schwarz / Deckel gelb | | | |
| Contact material | Silberlegierung hauchvergoldet | | | |
| Protection class | IP67 DIN EN 60529 | | | |
| Operating temperature min. | -20 °C | | | |
| Max. operating temperature | 50 °C | | | |
| Min. storage temperature | -20 °C | | | |
| Max. storage temperature | 50 °C | | | |
| Mounting type | screwed | | | |
| Weight | 500 g | | | |
| Installation | arbitrary | | | |
| Connection type | 3 x M20 x 1,5 Kabelverschraubung | | | |
| Min. connection cross section | 0.34 mm ² | | | |
| Max. connection cross section | 1.5 mm ² | | | |
| Certified in accordance with | EN ISO 60947-5-1 GS-ET-19 UL 508 / CSA 22.2 | | | |
| CE label | yes | | | |