



## Füllstandssensor 2..2

This analogue float level sensor is available with a pipe length of up to 2500 mm. The fluid level sensor is also available with a 360° rotatable head which offers additional flexibility for mounting.

The float level sensor is optionally available with LCD display or remote control for simple programming.

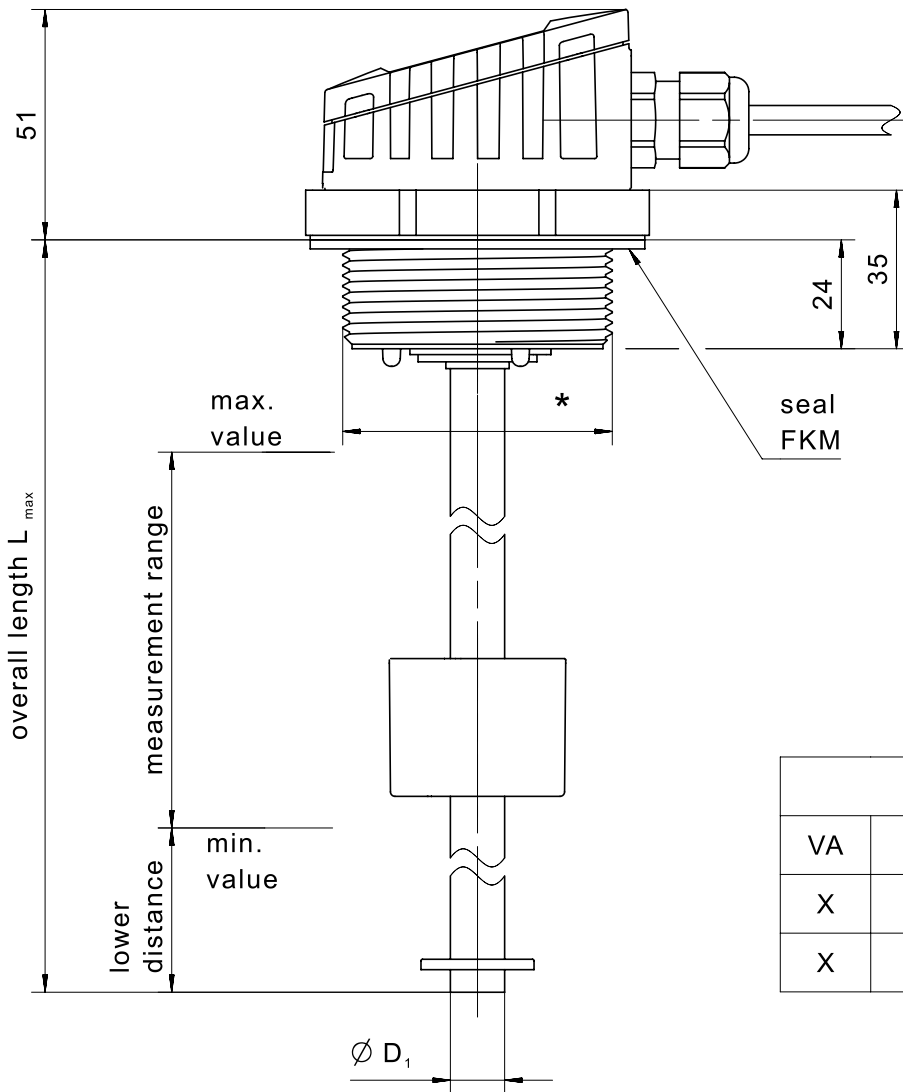
There is wide range of possible applications for this level sensor. The choice of available materials, length and resolution means it can be used in virtually any industrial or automotive application.

### Product characteristics

- Level measurement on reed-contact basis
- Available mounting threads: G 1.5 , G 2 1.5 NPT or 2 NPT
- Available with pipe length up to 2500 mm (on request)
- Material: PVC, PP, PA 12, stainless steel or PVDF
- Current or voltage output available
- Up to 4 freely programmable switching points
- Measurement resolution at intervals of 10-35 mm (standard 10 mm / 20 mm)
- Temperature range from -40 °C to +85 °C
- Optionally with temperature sensor

Technical drawing

IMAGE 1/6



	tube		head *
VA	$D_1 \varnothing$	$L_{max}$	
X	12	1500	G2 or G1 $\frac{1}{2}$
X	16	2500	G2 or G1 $\frac{1}{2}$

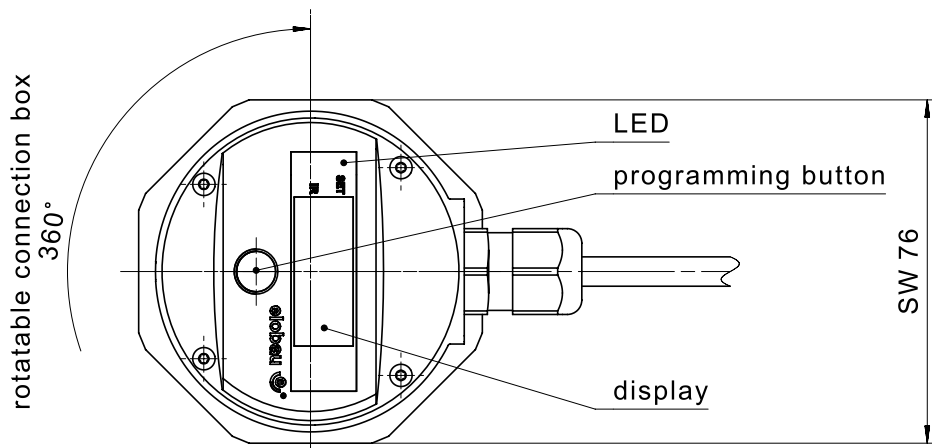


IMAGE 2/6

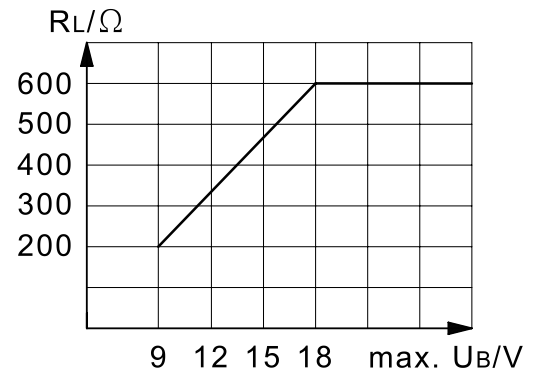
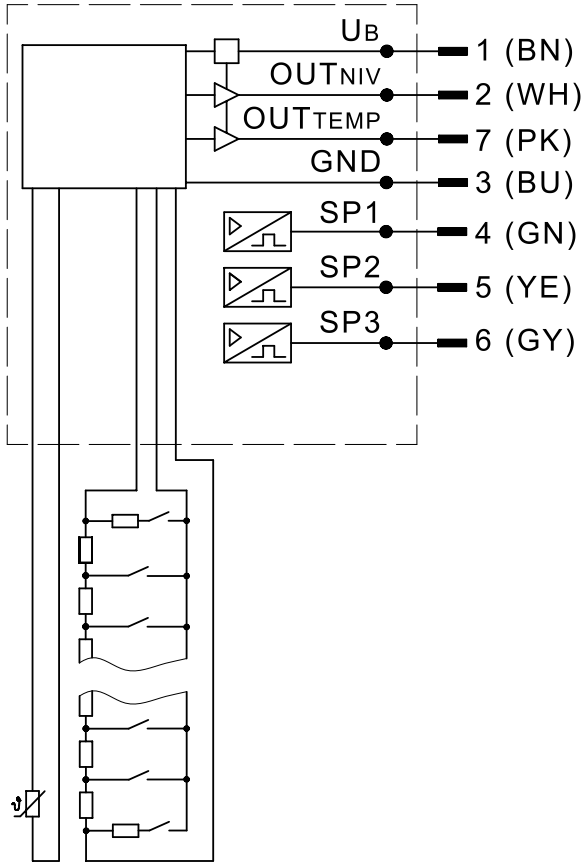


IMAGE 3/6

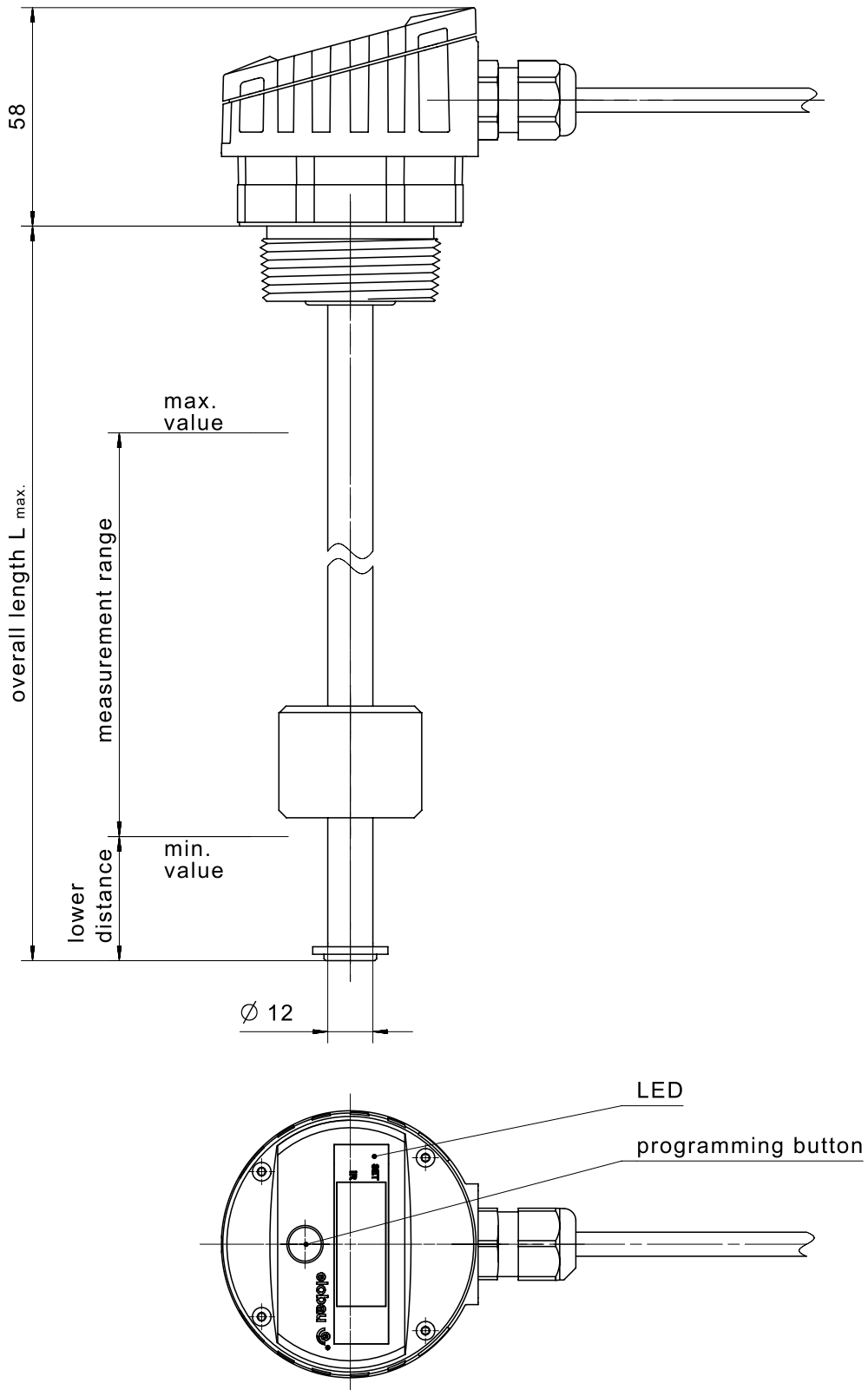
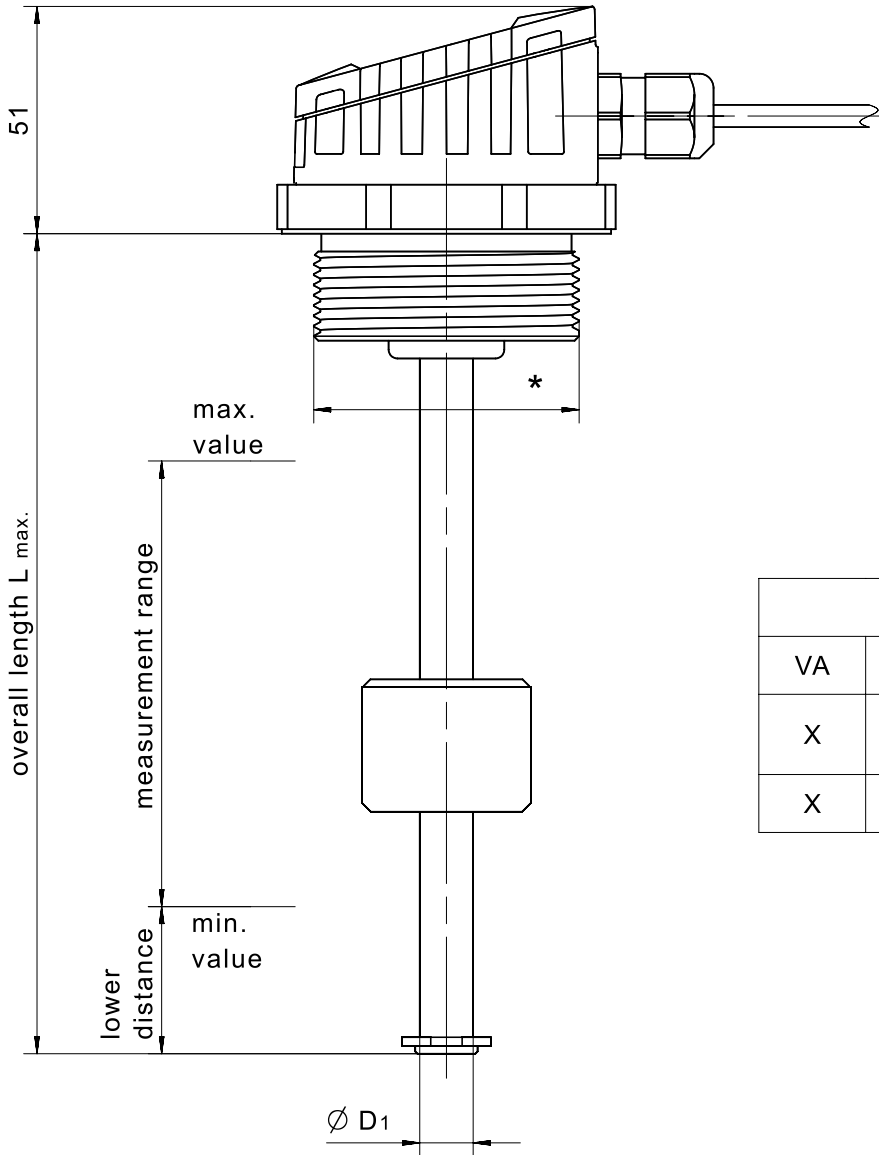


IMAGE 4/6



tube			head *
VA	$\varnothing D_1$	L max	
X	12	1500	G2 or G1 $\frac{1}{2}$ NPT2 or NPT1 $\frac{1}{2}$
X	16	2500	G2 or NPT2

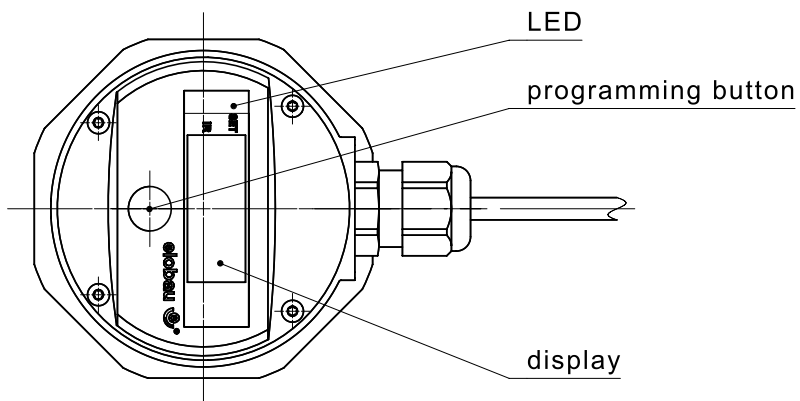
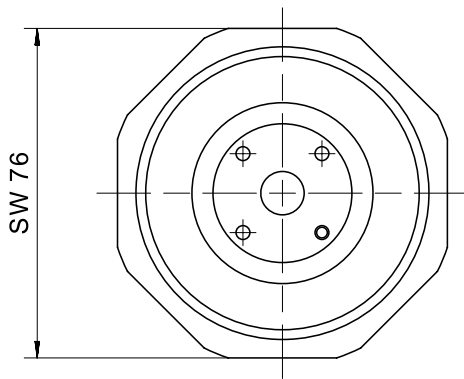
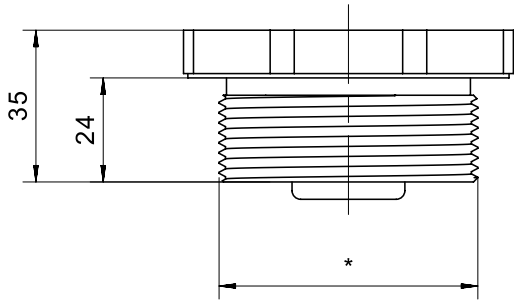
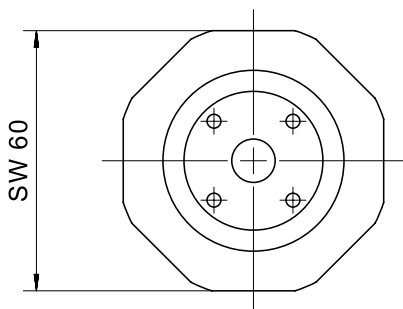
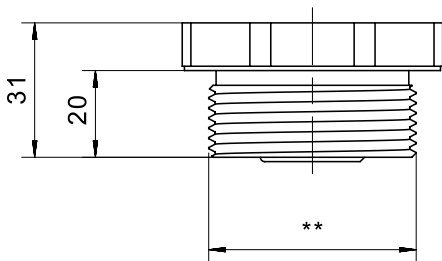


IMAGE 5/6



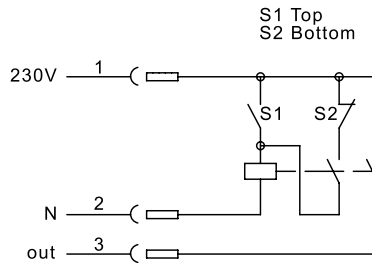
for Ø 16 tube	for Ø 12 tube	head thread *		material		
		G2	NPT2	PVC	PVDF	PP
	x		x	x	x	x
	x	x		x	x	
x		x	x	x		



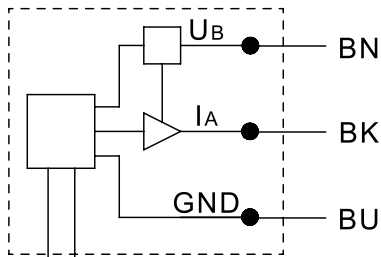
for Ø 12 tube	head thread **		material		
	G1 1/2	NPT1 1/2	PVC	PVDF	PP
x	x		x	x	
x		x	x	x	x

IMAGE 6/6

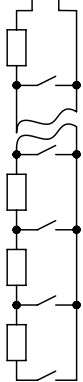
### 222313-001



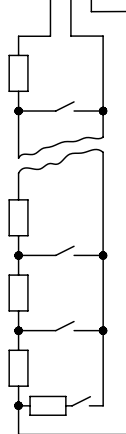
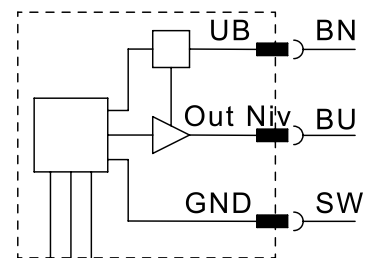
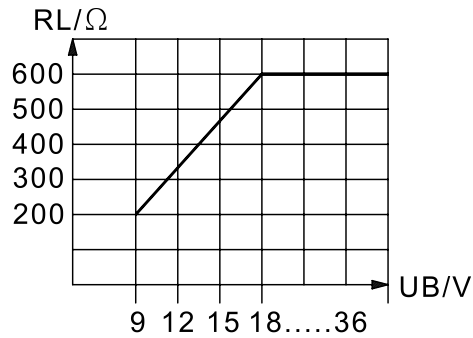
### 205322-003



### 225312-001



maximale Last am Stromausgang  
maximum load on current output



Product options

IMAGE 1/1

**ORDERING KEY**

Article number	Spacing	Thread	Riser length	Measuring length	Lower blind zone
<b>212232-001/B</b>	10	G 2	400	320	33
<b>212232-002/B</b>	20	G 2	600	500	43
<b>212232-003/B</b>	20	G 2	800	700	43
<b>212232-004/B</b>	20	G 2	1000	900	43
<b>212232-005/B</b>	20	G 2	1200	1100	43
<b>215232-001/B</b>	10	G 1 1/2	400	320	33
<b>215232-002/B</b>	20	G 1 1/2	600	500	43
<b>215232-003/B</b>	20	G 1 1/2	800	700	43
<b>215232-004/B</b>	20	G 1 1/2	1000	900	43
<b>215232-005/B</b>	20	G 1 1/2	1200	1100	43

Technical properties: riser material stainless steel 1.4571, housing material PA12, float material PA12, FKM seal, display, 3 configurable switching points, temperature contact, 3m pigtail outlet with 8-pin M12 connector, rotatable head, output signal 4...20mA

## Article characteristics

Attribute	212232....	215232....
Min. switching voltage	9 V DC	
Max. switching voltage	32 V DC	
Max. switching current	0.5 A	
Polarity reversal protection	yes	
Switching output	low-side (open drain)	
Output signal min.	4 mA	
Output signal max.	20 mA	
EMC immunity (Norm)	DIN EN IEC 61000-6-2	
EMC emission (Norm)	DIN EN 55011	
Operating voltage min.	9 V DC	
Operating voltage max.	32 V DC	
Current consumption	68 mA	
Linearity error	2 %	
Technology	Reed	
Outputs	analog + digital	
Number of switching outputs	3	
Temperature output	yes	
Lower blind zone	siehe Bestellschlüssel	
Spacing	siehe Bestellschlüssel	
Application area	Industry	
Rotatable head	yes	
Recommended minimum density of the medium	0.65 g/cm <sup>3</sup>	
Float diameter	39 mm	
Housing material	PA12	
Float material	PA12	
Riser material	VA 1.4571	
Cable material	PVC	
Sealing material	FKM (Viton)	
Protection class, mechanical	IP67 DIN EN 60529	
Operating temperature min.	-20 °C	
Max. operating temperature	70 °C	
Min. storage temperature	-30 °C	

Attribute	212232....	215232....
Max. storage temperature	80 °C	
Vibration resistance (Norm)	DIN EN 60068-2-6 DIN EN 60068-2-64	
Pressure resistance	3 bar	
ESD insulation resistance (Norm)	DIN EN 61000-4-2	
Mounting type	Thread	
Thread	G 2	G 1 1/2
Riser diameter	12 mm	
Installation opening	G 2	G 1 1/2
Torque	40 N m	
Connector type	M12	
Cable length	3 m	