



Fingertip Joystick J3

CAN-capable, bottom mounted.

The single axis Hall-effect, Fingertip joystick J3, is ideal for use in control panels and armrests of industrial trucks and municipal vehicles, as well as in agricultural and construction machinery thanks to its compact and robust design.

Technical specifications

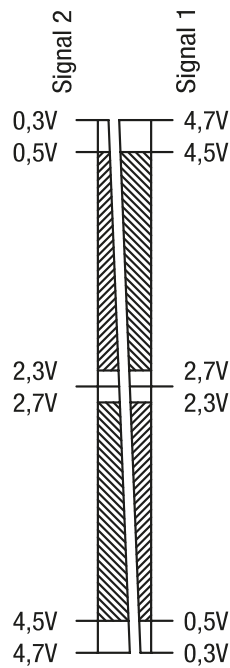
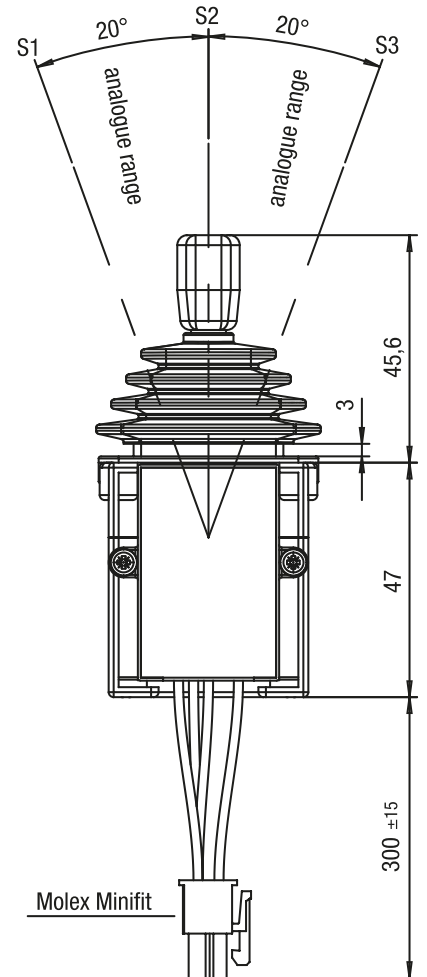
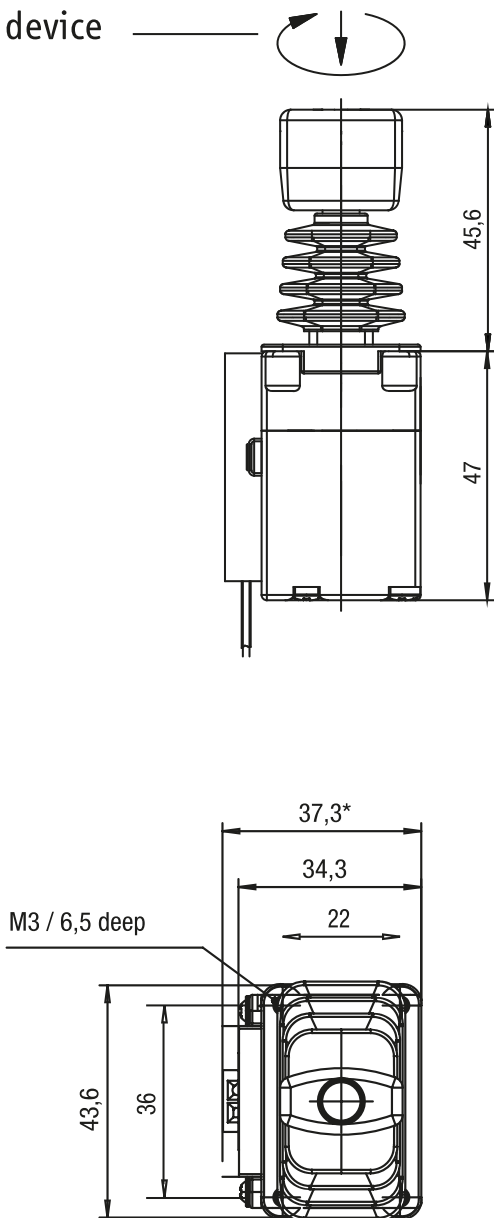
- Four actuation types: no-detent / detent, with friction brake or centre position interlock
- High reliability and long service life thanks to contactless Hall-effect and reed technology
- Analogue output signal (current/voltage, also redundant) or switching output
- CAN-bus connection (CANopen / SAE J1939)
- Various handle options, available with up to one push button switch
- IP67 protection class of electronics, ideal for harsh environmental conditions
- Deflection $\pm 20^\circ$ or $\pm 25^\circ$

Technical drawing

IMAGE 1/4

Optional locking device

neutral position locked



* panel thickness for execution Switching output / redundant / CAN

 = recommended tolerance range

IMAGE 2/4

mounting hole standard handle

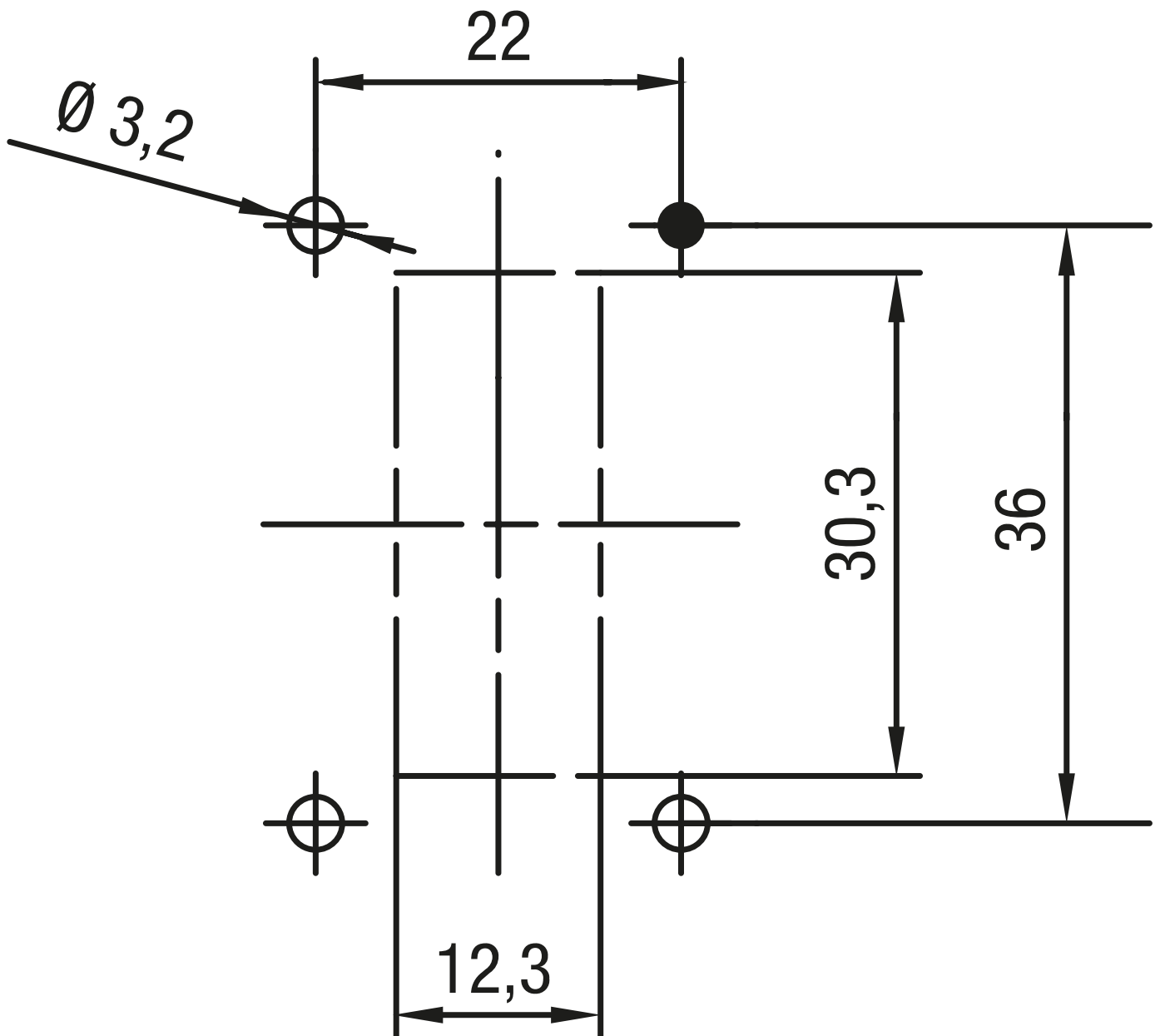
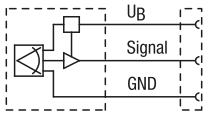


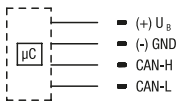
IMAGE 3/4

Standard

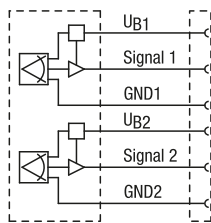
Analogue



CAN

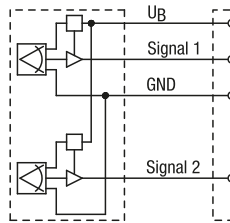


Redundant



Optional

Semi-redundant



Switching output

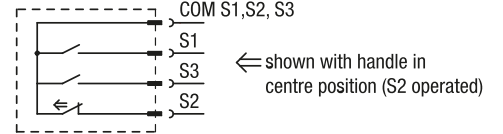
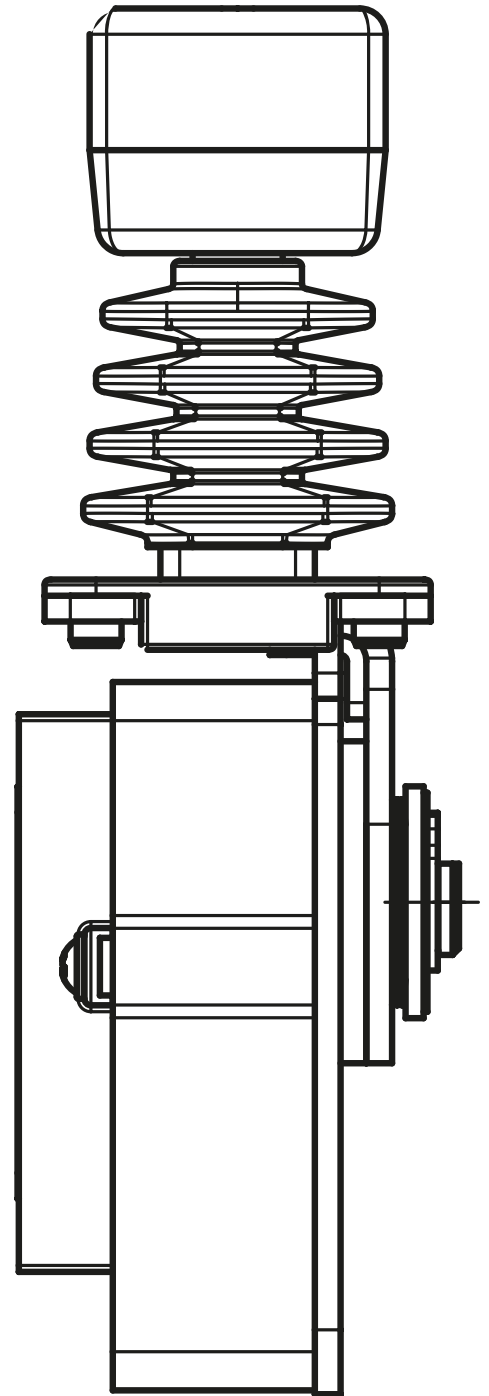
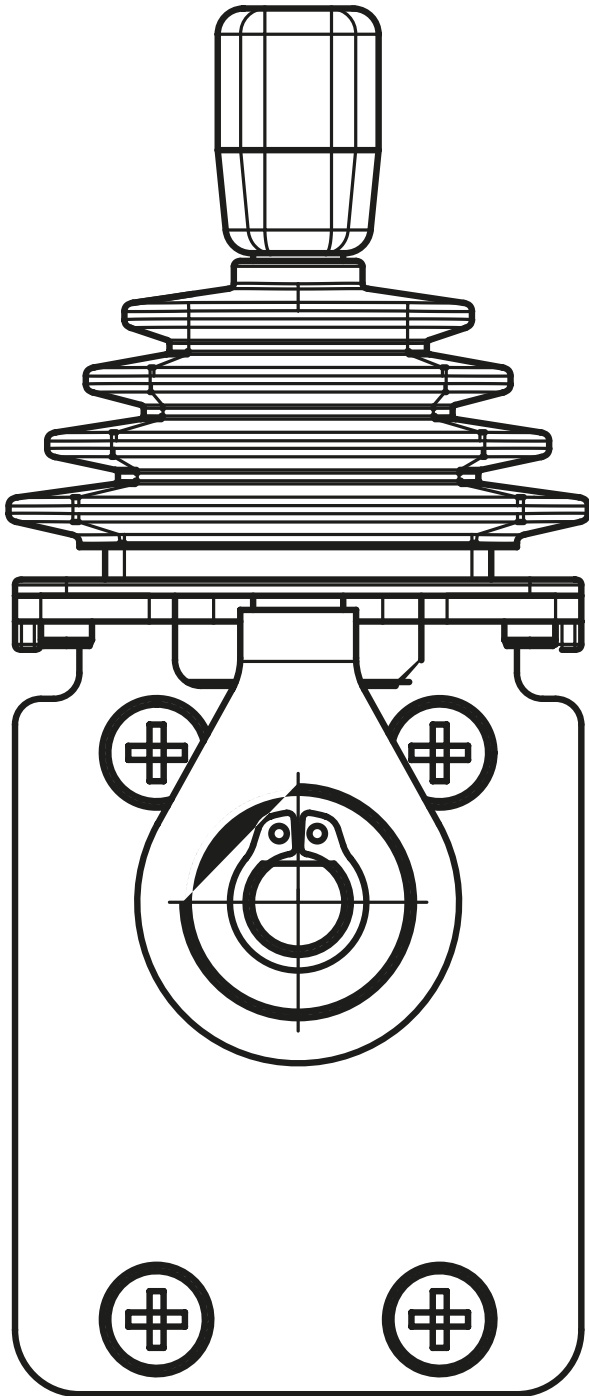


IMAGE 4/4

Optional with friction brake J3..AH. .



Product options

IMAGE 1/1

ORDERING KEY

J3						Single axis joystick
						Electronics
A	1					Analogue 4-20 mA DC
A	6					Analogue 0.5-4.5 V DC, ratiometric
A	7					Analogue 0.5-4.5 V DC
R	1					Redundant 4-20 mA DC
R	6					Redundant 0.5-4.5 V DC, ratiometric
R	7					Redundant 0.5-4.5 V DC
C	0					CANopen
C	J					CAN J1939
						Function
			A	A		No detent
			A	B		Detent
						Locking device
					0	Centre position cannot be locked mechanically
						Handle version
					A	Standard handle

Optional		
Electronics	Semi-redundant electronics module	
	Electronics module switching output	
	CAN (CANopen/J1939)	Baud rate
		Node ID (CANopen): tbd. Source Address (J1939): 0x70...0x79
Mechanics	Actuation type	No detent 25°
		No detent 25°
		Front detent only 20°/25°
		Friction brake, J3 handle on hand-throttle module
	Centre position mechanically lockable Twist lock	
Handle	Handle J2 with up to 1 push button	Various push button configurations s. 145MT...

Article characteristics

Attribute	J3A6...	J3CJ...	J3C0...
Polarity reversal protection	yes		
Output signal min.	0.5 V DC	-	
Output signal max.	4.5 V DC	-	
Output signal	analogue	-	
Output signal - centre position/zero position	2.5 V DC	-	
EMC immunity (Norm)	DIN EN 13309, DIN EN ISO 14982, ISO 13766, DIN EN 12895		
EMC emission (Norm)	DIN EN 13309, DIN EN ISO 14982, ISO 13766, DIN EN 12895		
Operating voltage min.	4.5 V DC	9 V DC	
Operating voltage max.	5.5 V DC	36 V DC	
Current consumption	max. 15 mA	120 mA	
Load resistance min.	20000 Ohm	-	
Short-circuit resistance to GND	yes		
Short-circuit resistance to supply	yes		
Outputs (quantity, type)	1	-	
Technology	Hall		
Protocol	-	J1939	CANopen
Node ID / Source Address	-	0x70	0x11
Transmitting cycle	-	100 ms	
Baud rate	-	250 kBit/s	
Bus terminating resistor	-	no	
Max. lever load with specified lever length	X- and Y-Axis 50mm/150 N		
Deflection	± 20 °		
Actuation type	single axis		
Service life, mechanical (Cycles)	2000000		
Protection class, electronic	IP67 DIN EN 60529		
Operating temperature min.	-25 °C		
Max. operating temperature	85 °C		
Min. storage temperature	-40 °C		
Max. storage temperature	85 °C		
Installation	from below		
Mounting type	screwed from above		

Attribute	J3A6...	J3CJ...	J3CO...
Connector type	Mini-Fit Jr.		
Cable length	0.3 m		