



Actuator 30426613

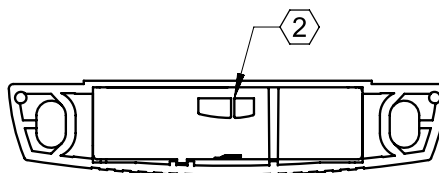
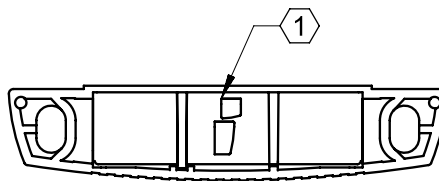
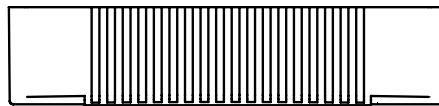
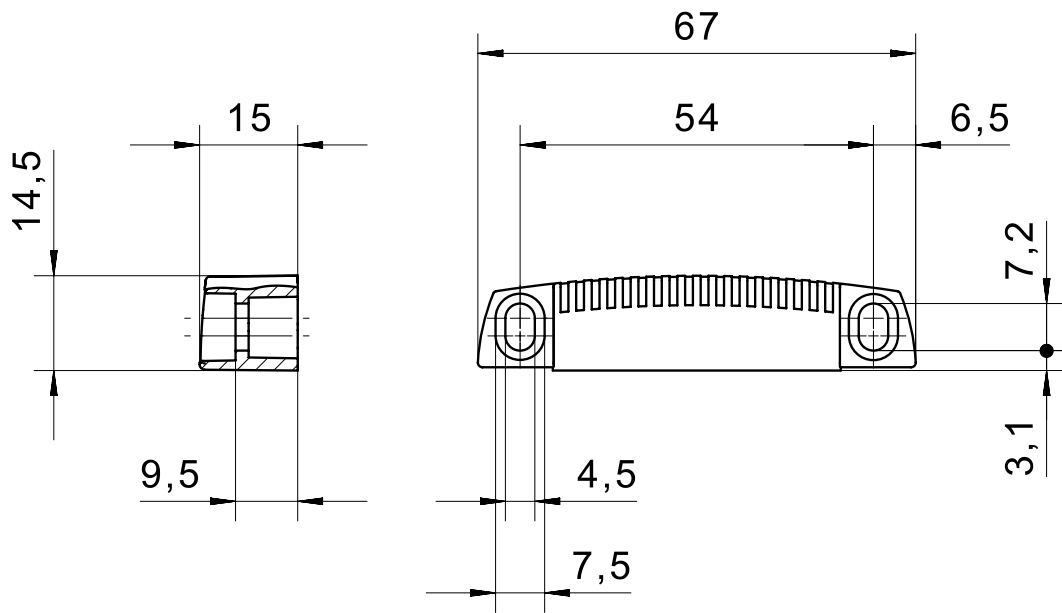
The 30426613 actuator is for use with the 166 safety sensors. The magnet system within the housing can be rotated, making it possible to actuate either from the front or by a rotation of 90°.

Product characteristics

- Flexibility in installation and use from variable actuation direction
- Hole dimensions compatible with 166 safety sensors for simple installation

Technical drawing

IMAGE 1/1



① 90° turned magnet system

② frontal magnet system

Article characteristics

Attribute	30426613
Coding acc. to EN ISO 14119	Low
Suitable for sensor type(s)	166
Dimensions	67x14,5x15
Housing material	PBT
Housing colour	grau
Mounting type	screwed